



**Coffee System**  
**Doser Coffee Grinder, Flat 65 mm**

ITEM # \_\_\_\_\_

MODEL # \_\_\_\_\_

NAME # \_\_\_\_\_

SIS # \_\_\_\_\_

AIA # \_\_\_\_\_



602543 (GRND600)

\* NOT TRANSLATED \*

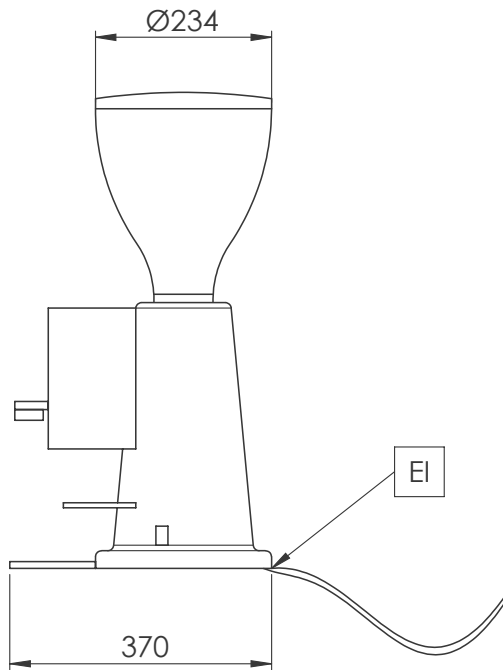
**Main Features**

- Automatic fill-in doser.
- Practical to use thanks to the automatic refill feature of the doser compartment, distributing a volumetrically controlled, consistent portion every time.

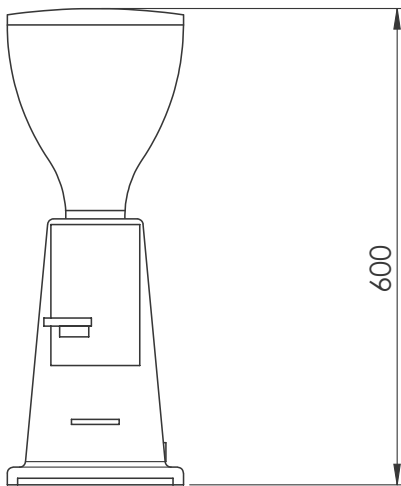
APPROVAL: \_\_\_\_\_



Side



Front



**Electric**

Supply voltage:	230 V/1N ph/50/60 Hz
Electrical power max.:	0.34 kW
Plug type:	CE-SCHUKO

**Key Information:**

Net weight:	13 kg
Shipping weight:	14 kg
Shipping height:	300 mm
Shipping width:	450 mm
Shipping depth:	700 mm
Shipping volume:	0.09 m <sup>3</sup>